

General Description

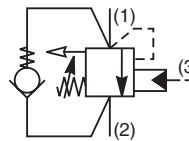
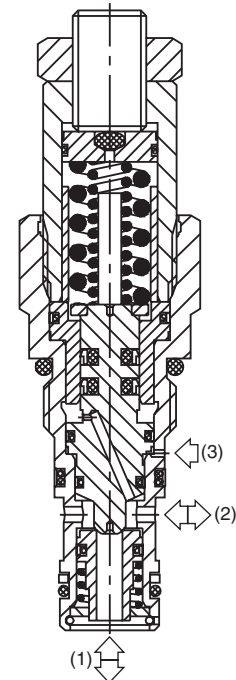
Threaded Cartridge Style Counterbalance Valve.
 Pilot assisted, designed for motion control applications
 For additional information see Technical Tips on pages LM2-LM5.

Features

- Spring chamber isolated from system backpressure by double seal, eliminating vent port leakage and need for separate drain line
- Poppet construction for minimal leakage
- Incorporates direct acting relief valve for overload protection
- Includes reverse check valve within body
- Small and compact, can be fitted directly into cylinder
- All external parts zinc plated

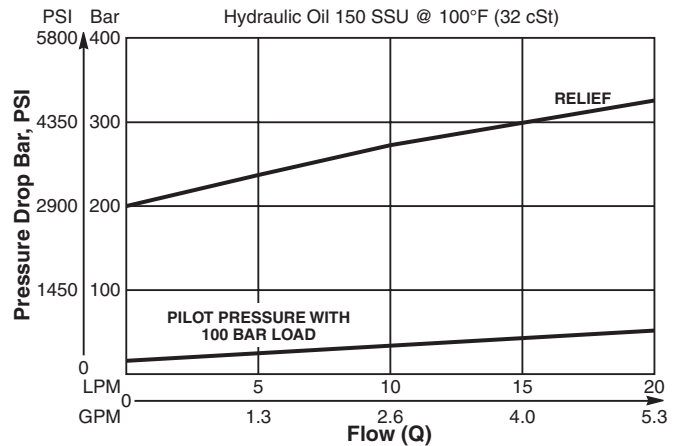
Specifications

Rated Flow	20 LPM (5.3 GPM)
Pressure	50 to 420 Bar (725 to 6000 PSI)
Sensitivity: Pressure / Turn	84 Bar (1220 PSI)
Pilot Ratio	4.5 : 1
Cartridge Material	All parts steel. All operating parts hardened steel.
Operating Temp. Range/Seals	-34°C to +121°C (Nitrile) (-30°F to +250°F) -26°C to +204°C (Fluorocarbon) (-15°F to +400°F)
Fluid Compatibility/ Viscosity	Mineral-based or synthetic with lubricating properties at viscosities of 45 to 2000 SSU (6 to 420 cSt)
Filtration	ISO-4406 18/16/13, SAE Class 4
Approx. Weight	0.08 kg (0.18 lbs.)
Cavity	53-1 (See BC Section for more details)

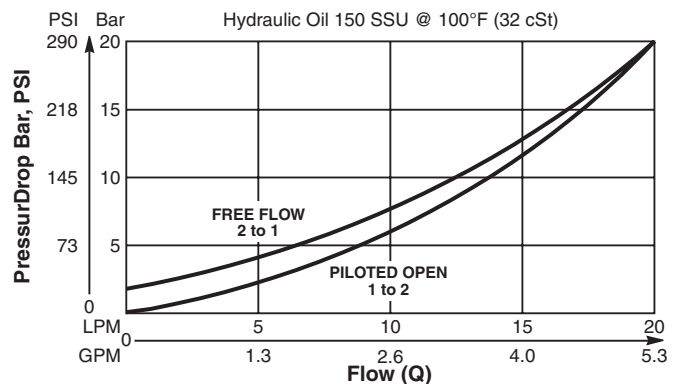


Performance Curves

Relief & Pilot Performance 1 to 2

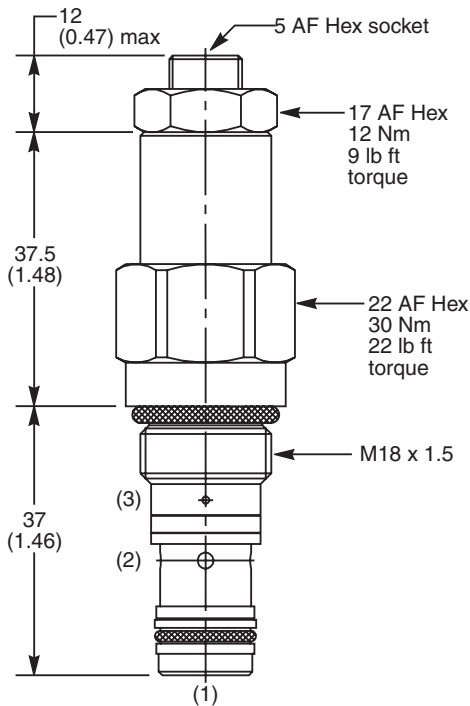


Pressure Drop vs Flow



- CV Check Valves
- SH Shuttle Valves
- LM Load/Motor Controls**
- FC Flow Controls
- PC Pressure Controls
- LE Logic Elements
- DC Directional Controls
- SV Solenoid Valves
- PV Proportional Valves
- CE Coils & Electronics
- BC Bodies & Cavities
- TD Technical Data

Dimensions Millimeters (Inches)



Ordering Information

E6	B	020	Z	N
Load Control Valve	Pilot Ratio		Adjustment Style	Seals

Highlighted represents preferred options that offer the shortest lead times. Other options may be available, but at extended lead times.

Code	Pilot Ratio
B	4.5 : 1

Code	Adjustment Style
Z	Screw Adjust (Standard)

Code	Seals
N	Nitrile

Kit	Part Number
Tamper Resistant Cap	TC1130
Nitrile Seal	SK30087N-1
Fluorocarbon Seal	SK30087V-1

Order Bodies Separately
 See section BC

LB10	318	S
Line Body	Porting	Body Material

Code	Porting
318	3/8" SAE (main) 1/4" SAE (aux)

Code	Body Material
S	Steel /(5000PSI)

*Standard valve is set to crack at 215 Bar (3120 PSI). Valve to be set to 1.3 times maximum load induced pressure.

CV
Check Valves
SH
Shuttle Valves
LM
Load/Motor Controls
FC
Flow Controls
PC
Pressure Controls
LE
Logic Elements
DC
Directional Controls
SV
Solenoid Valves
PV
Proportional Valves
CE
Coils & Electronics
BC
Bodies & Cavities
TD
Technical Data